

HAMLARKS

Christchurch Amateur Radio Club



December 2013

Branch 05 Club re-occurring events

MAIN BRANCH MEETING First Wednesday of the month 7.30pm, except January. *All visitors welcome*. Currently at 5 Idris Road

ACTIVITIES and STUDY NIGHT Every Tuesday 7:30pm currently at 5 Idris Road. *All visitors welcome*.

COMMITTEE MEETING 1st Monday after branch meeting 7.30pm
Currently at 5 Idris Road.

AREC MEETINGS Normally the 2nd Wednesday of the month 7.30pm. Currently at 5 Idris Road.

DEADLINE FOR HAMLARKS COPY 11 days before the main branch meeting.

WEEKLY CLUB VHF NET Every Sunday 8:00 PM on 145.625MHz repeater if available, otherwise 147.050MHz repeater.

OFFICIAL NZART BROADCAST Last Sunday of the month 8:00 PM on 147.050MHz repeater.

NEW ZEALAND YOUNG AMATEURS CLUB NET (Branch05)

Meet every Tuesday night at Branch05 clubrooms.

Branch 05 Website www.chchhamradio.org.nz

Presentation for next branch meeting

AGM

Branch 56 Invitation

Branch 56 invite Br 05 members to their Xmas evening on Tuesday 10th December at their Auburn Park clubrooms. Meet at 7 PM. As we are in addition to their usual numbers I am sure a plate of something delicious & delectable would be much appreciated.

Christchurch Radio Club AGM 2013

The Annual General Meeting of the Christchurch Radio Club will be held at the temporary clubrooms, 5 Idris Rd at 7.30pm on Wednesday the 4th December 2013.

All members are asked to attend and have input to THEIR club. If you have any concerns or ideas for the future of the club, or remits to go forward to Conference please come along and discuss. A Xmas supper will be served.

Agenda will be

- Election of club officers
- Consideration of accounts if available
- Nominations for awards
- Remits for conference

Rory's ramblings - ZL3HB

Next meeting is a big one. The AGM, so come along & vote for those you wish to run your club. Or put your hand up to join those doing so. It is very rewarding seeing a good functioning club providing benefits to members.

Your committee & Br 56 committee have decided to embark on a few shared events to enhance the Amateur community in Chch. We are all invited to join Br 56 at their Xmas Function as advertised elsewhere here. So let's join them for an enjoyable night on the 10th.

Also we are going to join forces for the first two meetings of the year where our Feb meeting will be with them at our clubrooms & March we will go Auburn Park for our meeting. As good speakers are not easy to find this might help in some small way with that endeavour.

Our new club space continues to be enjoyed by you all. We have engaged a Structural Engineer to look at the building and will consider his report & see where we next go in due course. At least we have somewhere to be, which is a great feeling. If any of you have some old sofas or comfy chairs & a coffee table you don't want we thought we might create a snug in one corner for more relaxed nattering. We are also looking for an industrial type vacuum cleaner with a powered head for the larger floor area. It takes an age with the small one we have.

Another Radiotek went well today (Sunday) so have booked another for 2nd March 2014. More new participants needed if you know of anyone interested.

See you at the AGM.

Cheers

Rory ZL3HB

Minutes of AGM 2012

Christchurch Amateur Radio Club AGM Dec 5th 2012

Apologies ZL3GG, ZL3CC, ZL3GX, ZL3VP, ZL4FZ, ZL2UCX, ZL3ACU, ZL3KB. Moved to accept by Rory ZL3HB, seconded Noel ZL3QC. Carried.

Visitors Bob W7SX, Phil ZL3PAH.

Minutes of 2011 AGM moved to accept by Mike ZL3TMB, seconded Rory ZL3HB. Carried.

Correspondence Nil

Reports David ZL2IC read his Presidents report and moved it be accepted, seconded Keith ZL3AHL. Carried.

AREC report was presented at AREC AGM week before.

No written repeater report but Greg reported that all had been covered previously in monthly reports with nothing to add. It was noted that the national AGM voted to remove packet from National System but it was still there at times. Greg ZL3IX moved this be accepted and seconded by Rob ZL3RX. Carried.

Accounts Richard ZL3UE then presented the accounts as published on the website & moved they be accepted. Seconded Brian ZL3BAW. Carried.

QSL Bureau Don ZL3SZ reported all well. \$45 had lasted 2 years of postage but needed more now. Postage costs still increasing. Don ZL3SZ moved, seconded Greg ZL3IX. Carried.

Election of Officers

David ZL2IC vacated the chair, replaced by Ian ZL3TAO.

President Keith ZL3AHL nominated David ZL2IC, seconded Greg ZL3IX. Ian ZL3TAO moved nominations be closed, seconded Trevor ZL3ADZ. Carried - David ZL2IC declared elected. David ZL2IC resumed the chair.

Vice President David ZL2IC nominated Ian ZL3TAO, seconded Rory ZL3HB. David ZL2IC moved nominations be closed. Carried. Ian ZL3TAO declared elected.

Secretary David ZL3DO nominated Rory ZL3HB, seconded Rob ZL3RX. David ZL2IC moved nominations be closed. Carried. Rory ZL3HB declared elected.

Treasurer Rory ZL3HB nominated Richard ZL3UE, seconded David ZL2IC. David ZL2IC moved nominations be closed. Carried. Richard ZL3UE declared elected. A vote of thanks to Lynne Prattley as accountant was given.

Committee David ZL2IC moved the existing committee be re-elected, seconded Rory ZL3HB. David ZL3DO and Andrew ZL3CC wish to stand down. Motion carried and there being no further nominations the rest declared elected.

Repeater Trustees Keith ZL3AHL, seconded Des ZL3AK, that current trustees, Rob ZL3RX, Greg ZL3IX and Gareth ZL3VP, be re-elected. Carried.

Hamlarks Editor David ZL2IC nominated Kelvin ZL3KB, seconded Keith ZL3AHL. Carried. Trevor ZL3ADZ moved a motion of thanks to Kelvin, seconded Rory ZL3HB. Carried. More content from members would be good.

Auditor Richard ZL3UE mentioned a community group of auditors we could use. Rob ZL3RX moved, seconded Des ZL3AK that the committee find a suitable auditor. Carried.

Subscriptions David ZL3DO moved that subscriptions stay as is, seconded Rob ZL3RX, Carried.

AREC Rob ZL3RX moved that Richard ZL4FZ be reconfirmed as section leader. Seconded David ZL2IC. Carried. It was noted that AREC donation to club funds is likely to be reduced next year as less income.

Awards David ZL2IC moved that Alan ZL3GX be granted life membership of the club. Seconded Rob ZL3RX. Carried with acclamation.

David ZL2IC moved that Phil Wells ZL3AHX be presented with a Certificate of Appreciation for his work on the AREC vehicles over the years, seconded Trevor ZL3ADZ. Carried.

Brian ZL2BAT was presented with the Amateur of the Year for his Stirling work with Radiotek, field days and the club in general.

Remits There were no remits to conference next year. Phil Holliday ZL3PAH, our local councillor, gave a presentation on his vision for NZART and what had been happening. Brian ZL3BAW thanked the committee for all their work over the year especially with the earthquake issues. It was noted the paperwork for insurance and CERA had been signed.

The AGM closed at 8.55pm.

Bob W7SX then gave a talk on aerial gain and the importance of aperture in relation to gain. Another way of looking at a subject we all get involved in at some stage.

The meeting finished with drinks and food as a Xmas celebration.

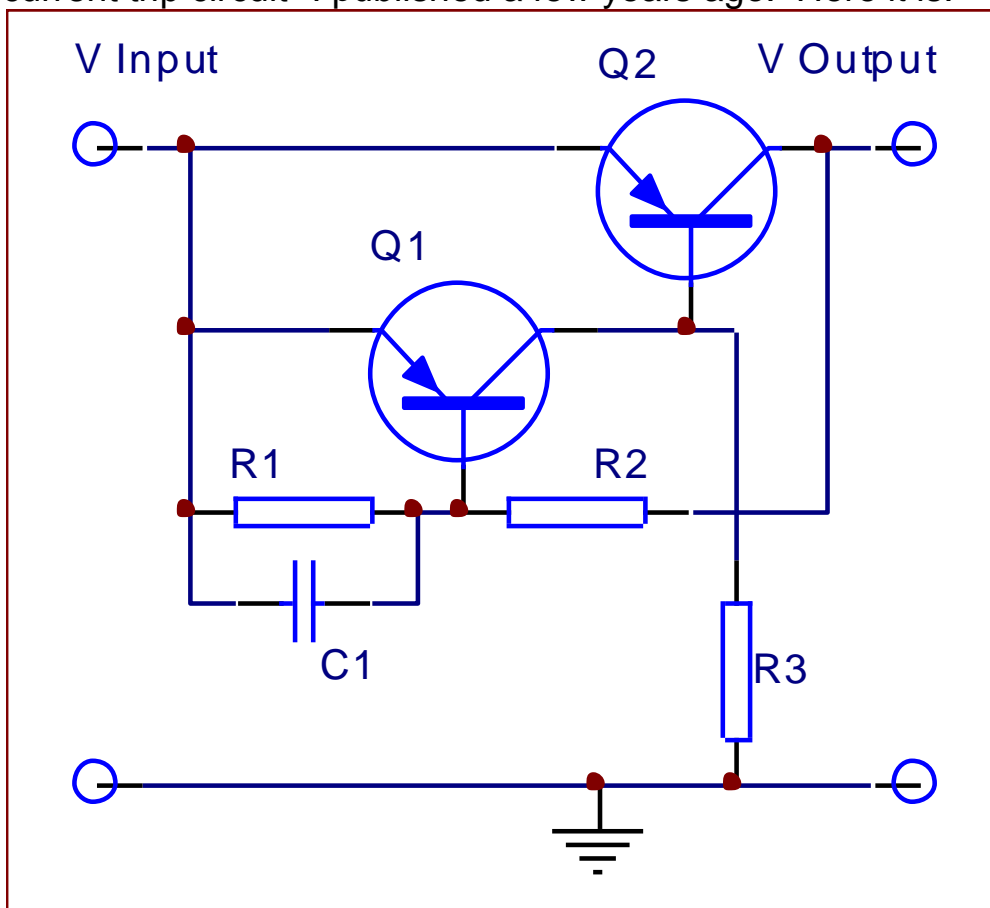
\$\$\$\$\$\$\$\$\$\$\$\$ Hamads \$\$\$\$\$\$\$\$\$\$\$\$

Wanted Any Denco coils for transistor radios, these are the brightly coloured coils on B9A plug bases, mostly Blue, Yellow or Red, with a slug adjuster at the top. Call Kelvin ZL3KB 323 8377 kb.ew@xtra.co.nz

Wanted: [Information on an article in Silicon Chip magazine](#) February, March and July 2011. If you have any of these would you please contact John Haynes ZL3TR. Phone 338 4495. Any costs fully compensated.

Simple Circuits ZL3KB

Bob ZL3BOB, one of our newest members, asked me for “that really simple current trip circuit” I published a few years ago. Here it is:



It does need some explanation –

On power up, Q2 turns on due to the base current in R3, and supplies the load current, whilst Q1 is held off by C1. R3 is selected to keep Q2 just in saturation with the normal load current “plus a bit”. If an overload

current occurs, Q2 will start to come out of saturation, and the voltage across it will increase. This voltage then appears at the base emitter junction of Q1 via the potential divider R1,R2, eventually turning Q1 on. This then raises the voltage across R3, and starts to turn Q2 off. Once this process starts, the saturation voltage of Q2 gets even bigger, and by positive feedback the whole circuit latches off, and is reset only by turning the circuit off, or the short on the load is completely removed. The value of C1 needs to be tuned to allow for the inrush current of the load decoupling caps. A good starting point is make $R1 = R2$, then the "trip current" is when the voltage drop of Q2 is approx 1V.

I was given this circuit by a guy who worked at Jet propulsion Labs in USA, and it was used on all the boards in the Pioneer spacecraft, as protection against radiation particle event latch up. We used it on all the subsystems in the AMPTE spacecraft. It has some points of elegance:

1. There is only one component across the supply, and it is only a resistor, so it is very safe from component faults.
2. As Q2 is a PNP the operational forward volt drop can be low.
3. There is no need for a current sense resistor, reducing the chance of failure again.

Field Day 2014 ZL3KB

You are cordially invited to partake in another Field day contest extravaganza at the end of February 2014. Email me KB.EW@xtra.co.nz for further details.

The greatest fun you will have in a paddock!

Hamlarks editor on the mic - ZL3KB

Every publication at this time of year seems to start "another year gone!" Yes, minutes and hours still keep going, but there is still heaps of time before Christmas. (That last comment is my plan for buying Christmas presents). Make sure you keep those articles coming in for Hamlarks in the future ;-). I am working on a new front cover for next year.

By the way, I am willing to stand for re-election as Hamlarks editor in 2014. Merry Christmas and a healthy 2014 to you all!

Minutes of previous club meeting**Christchurch Amateur Radio Club meeting 6th Nov. 2013**

Apologies ZL2IC, ZL4FZ. Moved to accept by Ian ZL3TAO. Carried.

Visitors Malcolm Campbell, our speaker. Rob ZL3ROB.
Members stood for a minutes silence for Barry ZL3BMW SK.

Correspondence Q-bit, Ragchew, CARDS email of thanks.

Reports **AREC** Jetboating on Saturday using 725
Klassic Kayak 8th Dec
Coast to Coast Feb 16th 2014
AREC AGM next week

Repeaters RSM has licenced beacons & repeaters in Club's name but no callsigns yet attached!

National System south port issues. Exciter swapped out to fix.

Greg ZL3IX discussed the issue of interference into & from the NS at Marleys with the high level of RF. He suggested bandpass filters are necessary to maintain a clean RF environment. Greg ZL3IX moved "the Club purchase 3 x bandpass filters for National System ports, spending up to \$3000". Seconded by Gareth ZL3VP. Carried.

There appears to be some new interference on NS & 840. Committee will discuss options.

QSL Bureau One lot of cards in.

Tuesday night Continuing at new clubrooms – but need some gear to operate.

Band report Greg ZL3IX reported 10m good – a lot happening on that band. 6m Beacon is back on the air.

General Business Ian ZL3TAO & Rory ZL3HB saw CCC re Idris Rd & got a good response from John Allen. There is a strong possibility we can end up with the 5 Idris Rd building as our clubrooms. There are many issues to work through but all seem do-able. First issue is an engineering report on the building. John ZL3ADF moved "that the Club engage a Structural Engineer to assess & report on the state of the building with what repairs would be necessary". Seconded by Keith ZL3AHL. Carried.

Geoff ZL3PX will do an Electrical Inspection as requested by CCC. A fire inspection will also be organised. Ian ZL3GIG to look into this.

Insurance Co to be notified of our new address & disclose state of building. A working bee has cleaned up the site & Brian ZL2BAT has repaired guttering.

Meeting closed at 8.25PM

Malcolm Campbell, from Enable then gave a talk on the current rollout of UFB in Chch with samples of the cable tubing used. A very interesting talk.

RadioTek 24th November 2013

Another radioTek successfully completed, with many of the old faces coming back for more torture. This time Rory had found some robot kits for the fourth timers to build, and that was successfully supervised by Aidan 3APB. Not much room for words this edition, but here is a few pictures. Thanks to the crew Rory ZL3HB, Brian ZL2BAT, Aidan ZL3APB, Graham ZL3NK, Gareth ZL3VP, Graham ZL3GSL, Ian ZL3TAO, Ron ZL3RON, David ZL2IC and Kelvin ZL3KB



Christchurch Amateur Radio Club**Committee for 2013**email: ror1@xtra.co.nz

		<u>Ph home</u>	<u>Ph work</u>	<u>Cell phone</u>
President:	David Holland	ZL2IC	960 0833	9644686
		7 Parklands Dr, Huntsbury Email: holland.d@clear.net.nz		
V President:	Ian MacPherson	ZL3TAO	3518485	021 048 0298
		10 Rhyl Pl, Bryndwr, Chch Email: ian@macpherson.gen.nz		
Secretary:	Rory Deans	ZL3HB	3446292	021 131 4599
		29 Seymour St, Hornby, Chch 8042 Email: ror1@xtra.co.nz		
Treasurer:	Richard Prattley	ZL3UE	325 2685	027 226 2205
		Ellesmere Road, RD 2, Christchurch Email: zl3ue@nzart.org.nz		
Committee:	Rob Thirkettle	ZL3RX	348 3815	3642510
		622 Old West Coast Rd, RD1, Christchurch Email: rob.thirkettle@canterbury.ac.nz		
	Brian Ramage	ZL2BAT	385 4428	027 630 6706
		28 Wilmington Place, Fairway Park, Christchurch 8061 Email: ramz@ihug.co.nz		
	Mike Barnes	ZL3TMB	3 313 3321	021 679 479
		P O Box 218, Christchurch, 8140 Email: mike@barnes.net.nz		
	Trevor Wignall	ZL3ADZ	3388953	963 9241
		32 Worsleys Rd, Cracroft, 8025 Email: zl3adz@xtra.co.nz		
	Kelvin Barnsdale	ZL3KB	3238377	021 02904020
		18 Rushmore Dr, Belfast 8051 Email: kb.ew@xtra.co.nz		
AREC	Richard Smart	ZL4FZ	385 8355	3728603
		Email: rsmart@netaccess.co.nz 0275085718		
Trustees:	Rob ZL3RX	348 3815	Gareth ZL3VP	332 2406
	Greg ZL3IX	03 3100382	work	3570846
Auditor:	Judith Holland	see David Holland		
Hamlarks:	Kelvin Barnsdale ZL3KB	3238377	021 02904020	
		Email: kb.ew@xtra.co.nz		

P.O.Box 1733,
Christchurch,
New Zealand